



長 宏 科 技 有 限 公 司  
Chang Hong Information Co., Ltd.

850/900/1800/1900/2100 MHz 3dBi ROOF SCREW+RG174(3M)+SMA MALE (Option)

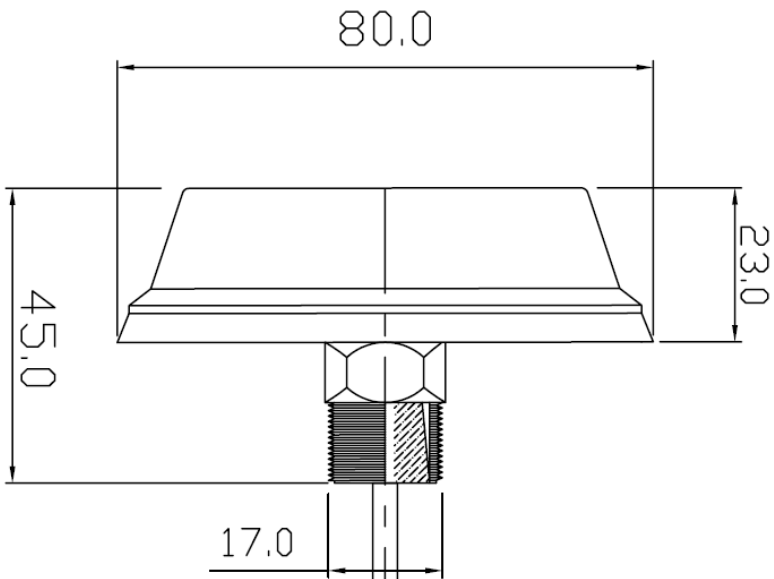


Specifications/Special Features :  
Global System for Mobile Communication  
850/900/1800/1900/2100 MHz phone antenna,  
Broadband design for GSM/UMTS/WCDMA systems.

Specification	
Model No.	GSM-06
Operating Frequency	850/900/1800/1900/2100 MHz
Antenna Type	Roof Screw Mount
Antenna Color	Black
VSWR	< 1.8
Polarization	Linear Vertical
Temperature	-40 to +85 °C
Humidity	40% to 95% RH
Connector Options	SMA MALE (Option)
Cable: RG-174	Length=3M (Option)
Cable Color	Black
Dimension	L45xW80xH45mm

GSM-06

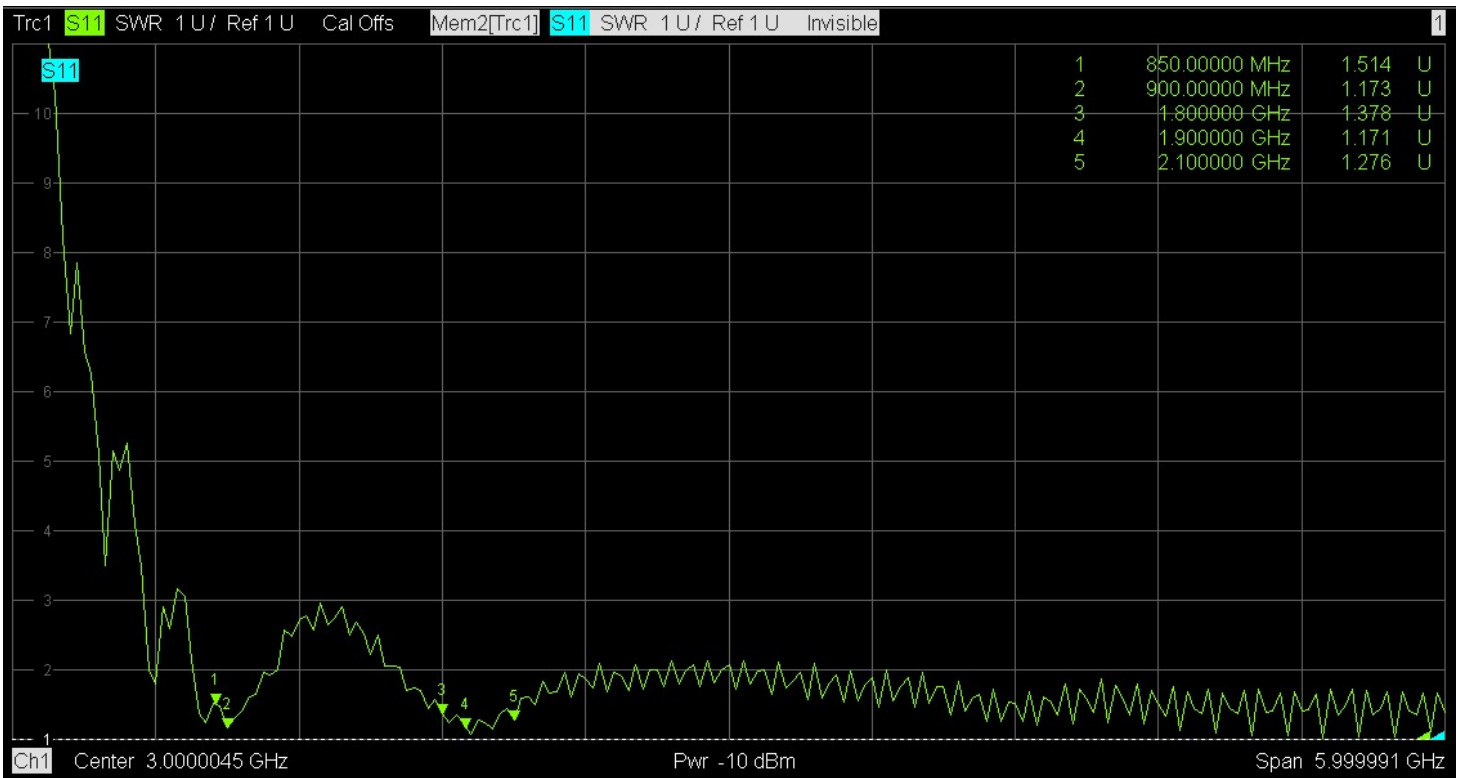
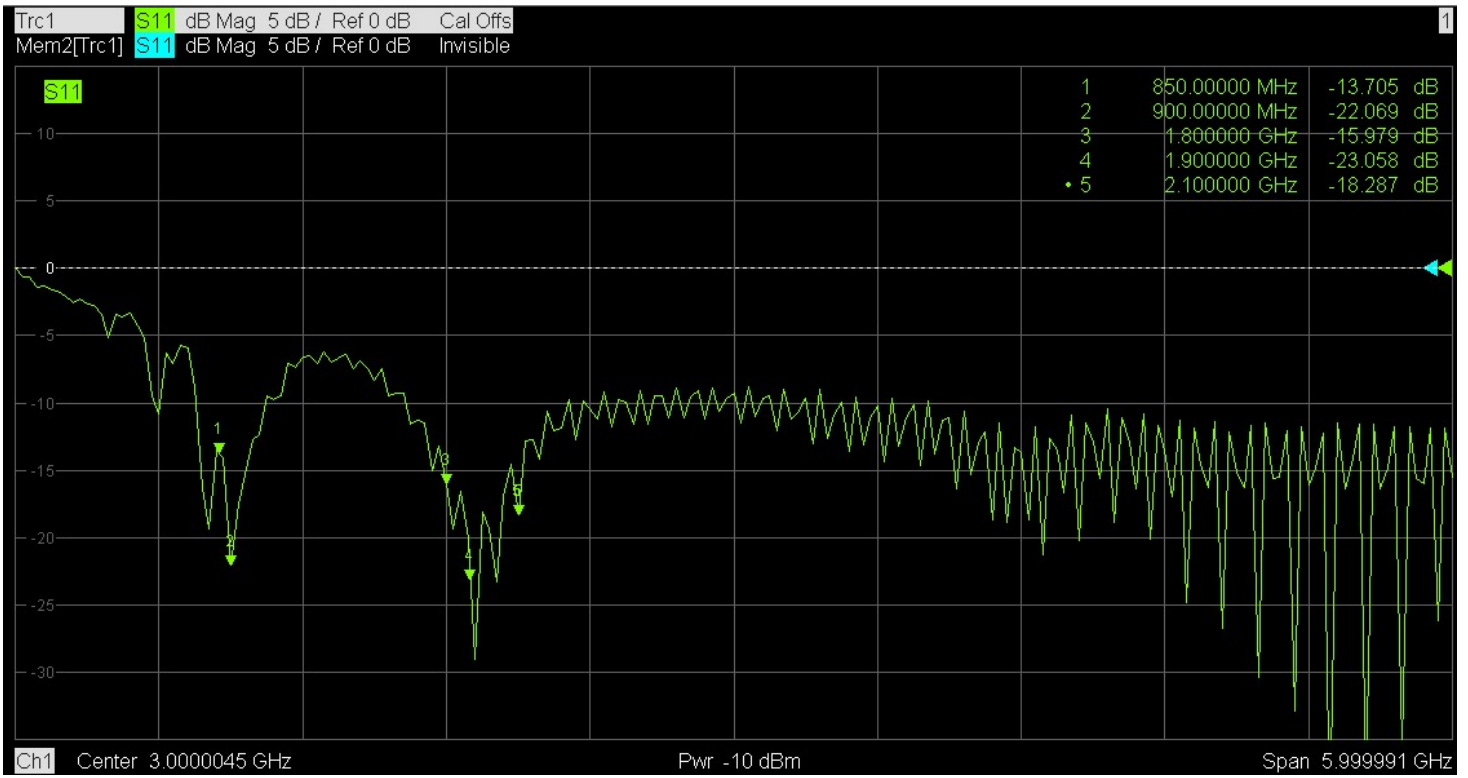
GSM 850/900/1800/1900/2100 MHz 3dBi ROOF SCREW+RG174(3M)+SMA MALE (Option)



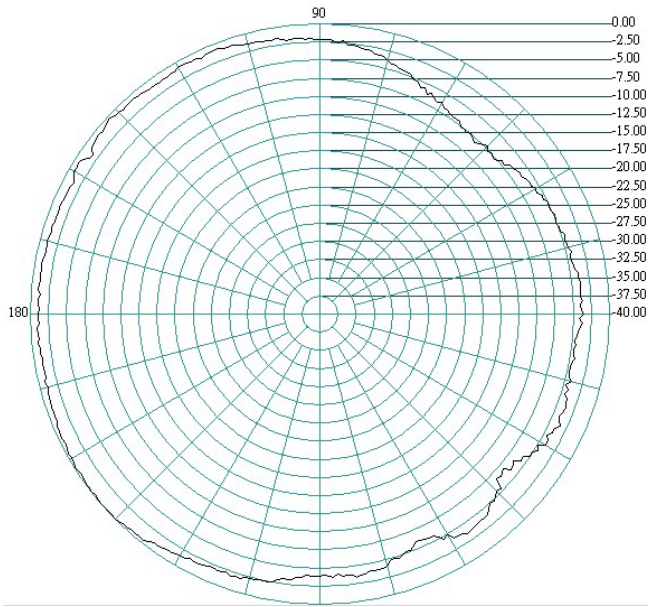
CABLE:RG174 Length=3M (Option)

SMA PLUG (Option)

1	FREQUENCY : 850/900/1800/1900/2100MHz	6	IMPEDANCE : 50 Ω
2	GAIN : 3dBi	7	
3	V.S.W.R : <1.8	8	
4	CABLE LENGTH : 3M (Option)	9	
5	CONNECTOR : TNC & SMA ... (Option)	10	



# H-PLANE



# E-PLANE

