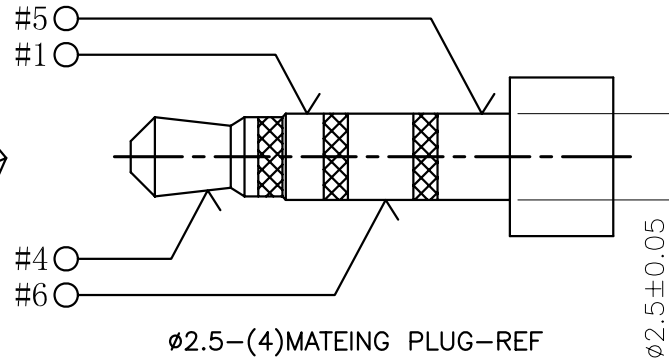
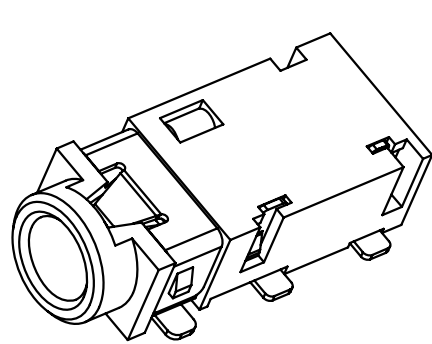
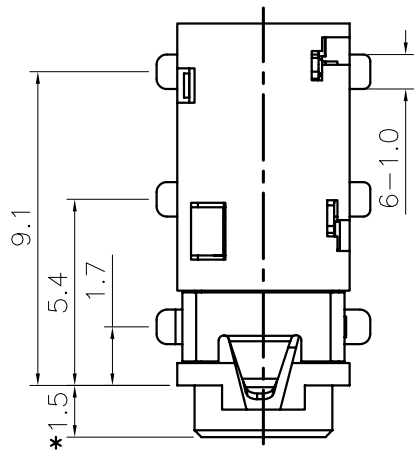
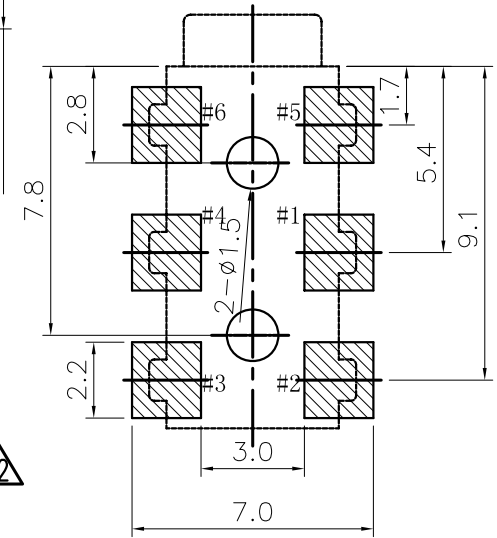


*: INDICATES THE KEY DIMENSIONS [*为重點尺寸]

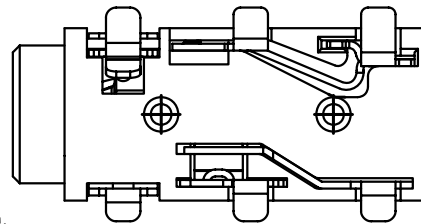
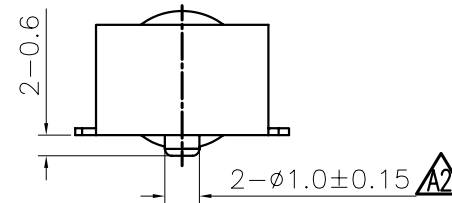
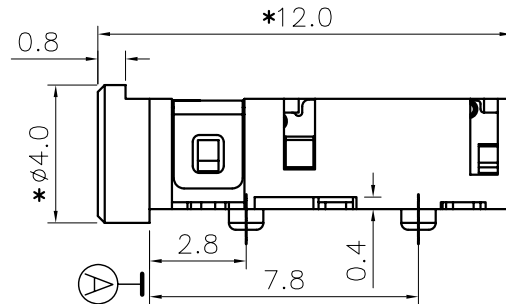
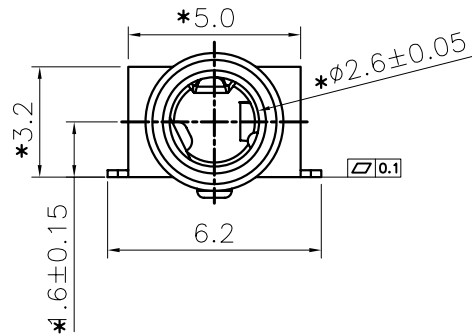
		* REVISIONS		
LTR	DESCRIPTION	DATE	REVISED	APPROVED
A2	修正柱子尺寸	2018.04.19	H.RP	GAOWEI



ø2.5-(4)MATEING PLUG-REF



Recommend of PC Board Holes
Tolerance : ±0.05(Printed-Top view)



Notes:

- Electrical Characteristics:
 - Rating : DC 30V 0.2 A ;
 - Contact Resistance: 50mΩ Max.(Initial), 100mΩ Max.(Final) After test: ≤50mΩ ;
 - Dielectric Withstanding Voltage: 500V AC for One Minute ;
 - Insulation Resistance: 100MΩ Min. Measured By 500 VDC;

2. Mechanical Characteristics:

- Plug Insertion Force 0.3~2.0Kgf (initial), 0.3~2.0Kgf (Final) life test;
- Plug Extraction Force: 0.3~2.0Kgf (initial), 0.3~2.0Kgf (Final) life test;

3. Durability Test: 5,000 Cycles min;

- Operating temperature:-25°C ~ +70°C;
- Soldering Heat Resistance Reflow Soldering 260°C;
- Plug Interface Dimensions Conform To EIAJ RC-5327 Spec;
- Packaging:Tape Reel.;

LEAD FREE

7	HOUSING	1	PA9T	UL94V-0	BLACK
6	TREMINAL-6 #3	1	BRASS t=0.20	MB: Ni	Gold Flash
5	TREMINAL-5 #2	1	BRASS t=0.20	MB: Ni	Gold Flash
4	TREMINAL-4 #4	1	STAINLESS STEEL t=0.20	MB: Ni	Gold Flash
3	TREMINAL-3 #1	1	PHOSPHOR BRONZE t=0.20	MB: Ni	Gold Flash
2	TREMINAL-2 #6	1	PHOSPHOR BRONZE t=0.20	MB: Ni	Gold Flash
1	TREMINAL-1 #5	1	PHOSPHOR BRONZE t=0.20	MB: Ni	Gold Flash

SCHEMATIC	-TOLERANCES-	
KYJ-025-33JAG	UNLESS OTHERWISE SPECIFIED	
	公差	
	X.X ±0.25	X.X' ±3°
	X.XX ±0.20	X.XX' ±1°
	X.XXX ±0.15	

LTR	PART NAME		QTY	MATERIAL		REMARK
DWN	H.RP	DATE	2016.09.02	3RD ANGLE PROJECTION	NAME MINIATURE JACK	
CHKD	GAOWEI	DATE	2016.09.02		CAT. NO. KYJ-025-33JAG	
APVD	GAOWEI	DATE	2016.09.02	UNIT: mm	DWN.NO. 03-025-33 002	
KYOYAKU KYOYAKU ENTERPRISES LTD.						