

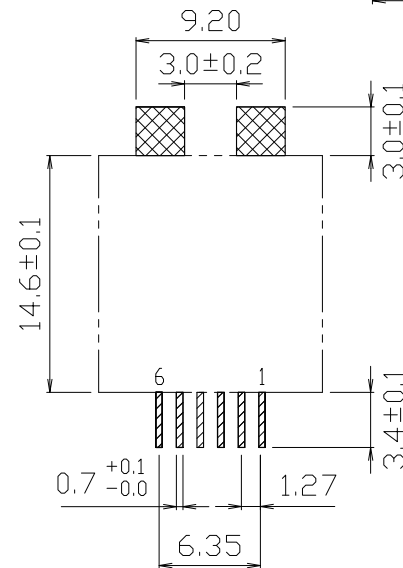
MATERIALS:

- HOUSING-PA9T GN2330
HEAT RESISTANT PLOYAMIDE RESIN
BLACK COLOR, UL94V-0
- INSERT HOUSING-DSM STANYL TE250F6 (NYLON-46)
HEAT DEFLECTION TEMP.290°
BLACK COLOR, UL94V-0.
- CONTACTS-0.35mm THICK PHOS-BRONZE
PLATED WITH HARD GOLD AND
GOLD FLASH IN SOLDER AREA.
- HOLD DOWN-0.35mm THICK COPPER ALLOY,
PLATED WITH TIN.

CAVITY CONFIRMS TO FCC RULES AND REGULATIONS
PART 68,SUBPART F.

NOTE:

1. A AND B HIGHEST POINT
MUST OVER C FLAT SURFACE.
2. THE MAXIMUM DISTANCE (0.15m/m)
BETWEEN LOWEST AND HIGHEST
ON A AND B FLAT SURFACE.



PCB LAYOUT
Ref.

RoHS Compliant

TOLERANCES ARE



煜倫股份有限公司

www.morethanall.com

DRAWING BY CY

CHECKED BY GENIUS

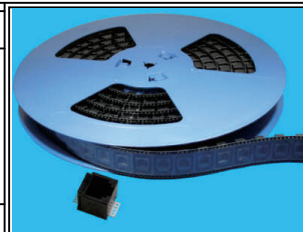
UNIT/mm SCALE 1:1

DATE

SIZE A4

X. ±
.X ± 0.25
.XX ± 0.13
.XXX ± 0.05
ANG ±

PJECTION

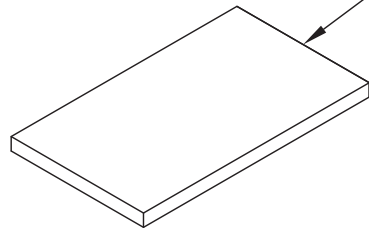


ORDER INFORMATION



DESCRIPTION: 6POSITION TOP ENTRY SMT TYPE
W/O BOARD LOCK PCB JACK

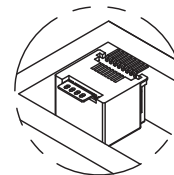
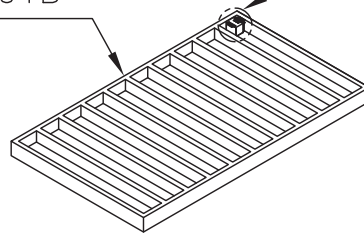
TOP COVER
P/N: 369-001C



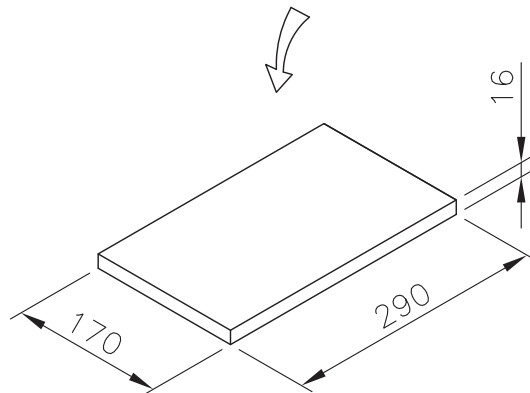
TRAY
P/N: 369-001B



SEE DETAIL P



DETAIL P



RoHS Compliant

TOLERANCES ARE

MORETHANALL
PCB CONNECTORS
Cable ASSEMBLIES

DRAWING BY **CY**

CHECKED BY **GENIUS**

UNIT / mm

SCALE 1 : 1

DATE

SIZE A4

X, ±
.X ± 0.25
.XX ± 0.13
.XXX ± 0.05
ANG ±

PJECTION

照片框

ORDER INFORMATION

MJV13-KX06-0606-LF

SERIES

||

||

||

||

||

||

||

||

||

||

||

||

||

||

||

||

||

||

||

||

||

||

||

||

LEADFREE

6P6C

06u" GOLD

NON EAR

BLACK

煜倫股份有限公司

www.morethanall.com

DESCRIPTION: IPOSITION, SMT TYPE, TOP ENTRY PCB JACK