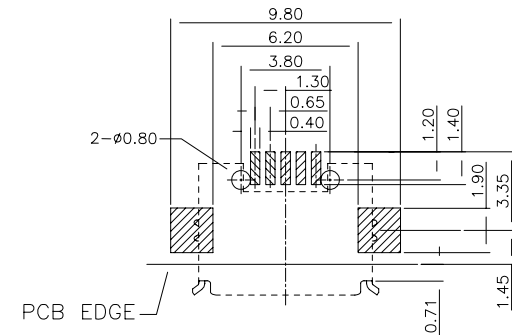
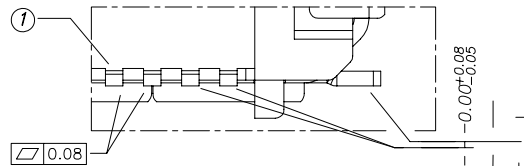
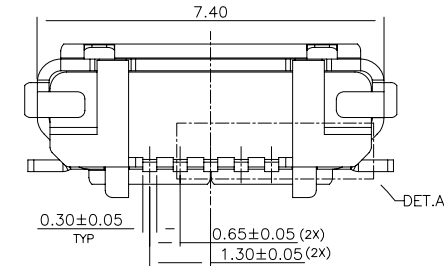
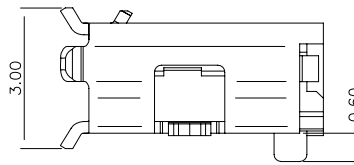
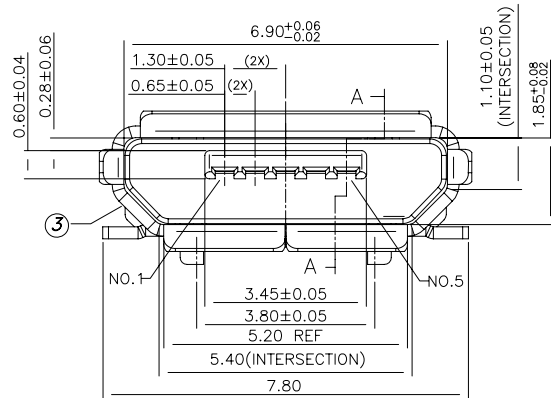


SEC. A-A



PCB LAYOUT(SCALE 4:1)
TOLERANCE:±0.05



DET.A
SCALE 10:1

△ PRODUCT NUMBER:
207A-B B A 0-R
1 2 3 4

- 1.Type
B:B Type
- 2.Contact Plating
B:30u" Gold Plating
- 3.Peg
A:With Peg
- 4.RoHS

ITEM	DESC.	MATERIAL	REMARKS	PART REMARKS
3	SHELL	STAINLESS STEEL, T=0.25	40u" Min. NICKEL OVER PLATED	
2	HOUSING	HIGH TEMPERATURE THERMAL PLASTIC	COLOR:BLACK	
1	CONTACT	COPPER ALLOY,T=0.20	CONTACT AREA:AU 30u" Min, SOLDER AREA:AU 3u" Min.	

UNLESS OTHERWISE SPECIFIED TOLERANCE	
ANG.	±5°
0.	±0.3
.0	±0.25
.00	±0.20
SCALE:	AS SHOWN
UNIT:	mm
DRAWN	Willis
CHECKED	Angel
APPROVED	Ken

 ATTEND TECHNOLOGY INC. www.attend.com.tw			
		DRAWN NAME:	Micro USB-B Receptacle SMT Type
DATE	2009/08/11	PRODUCT NO.	207A-BBA0-R
SIZE	A4	FILE NAME:	207A-BBA0-R_B_1

1. Revise: Product Number: Contact Area(Gold 30u") and Peg Area

REV.	DESCRIPTION	DATE	SIZE	REV.
1			A4	