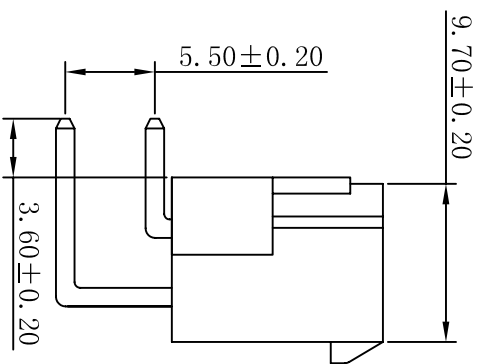
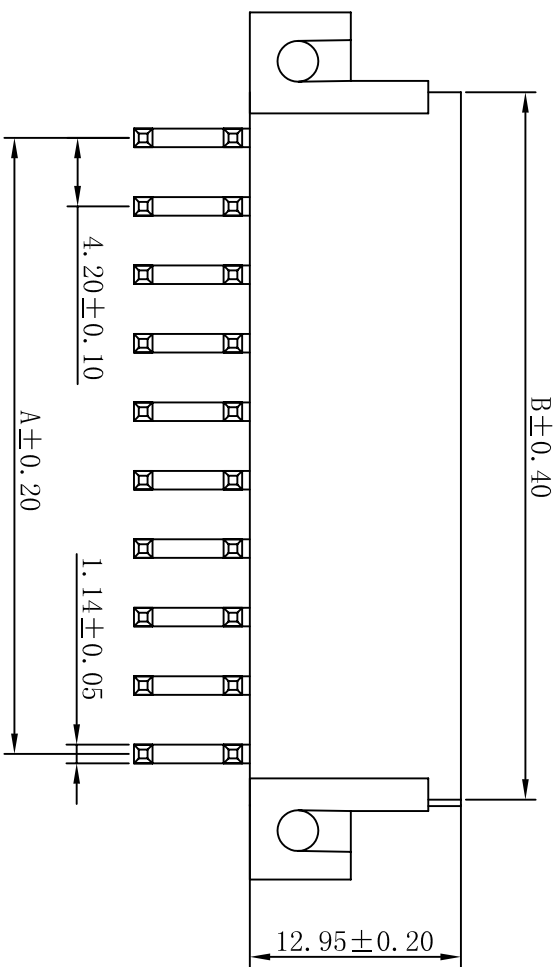
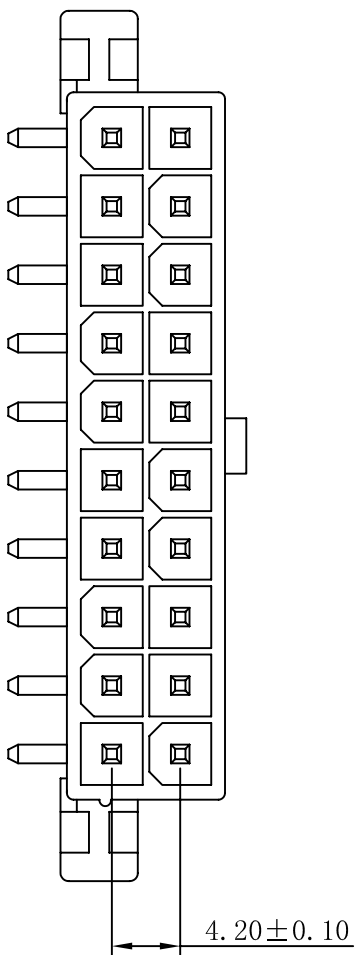


REV.	ECN NO.	LOCATIONS.	DESCRIPTION	DATE	CHANGER
A			新版本	2011-05-24	陈雄军

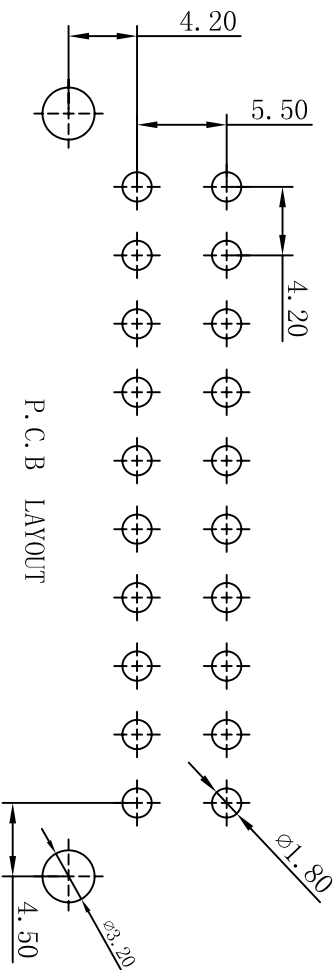


- SPECIFICATIONS
- Voltage rating: 250V AC, DC
 - Current rating: 7A, AC, DC
 - Withstanding Voltage: 1500V AC/minute
 - Insulation resistance: 1000M Ω min
 - Temperature range: -25 $^{\circ}$ C $^{+}$ +85 $^{\circ}$ C
 - Contact resistance: 10m Ω max

■ WAFER

- Part No. : W4202RL-2*NP
- Poles : 02-24
- Material: Nylon 66 UL94V-2
- Pin Material: Brass /Tin-plated

PART NO.	Dimensions (mm)	
	A	B
W4202RL-2*01	---	5.60
W4202RL-2*02	4.20	9.80
W4202RL-2*03	8.40	14.00
W4202RL-2*04	12.60	18.20
W4202RL-2*05	16.80	22.40
W4202RL-2*06	21.00	26.60
W4202RL-2*07	25.20	30.80
W4202RL-2*08	29.40	35.00
W4202RL-2*09	33.60	39.20
W4202RL-2*10	37.80	43.40
W4202RL-2*11	42.00	47.60
W4202RL-2*12	46.20	51.80



P.C.B LAYOUT

RSK TECHNOLOGY CO., LTD

TITLE 成品规格图

CHECKED BY DATE SCALE

DRAWN BY UNIT: mm 1:1 VER. NO. SIZE

陈雄军 PART NO. W4202RL-2*NP

TOLERANCE

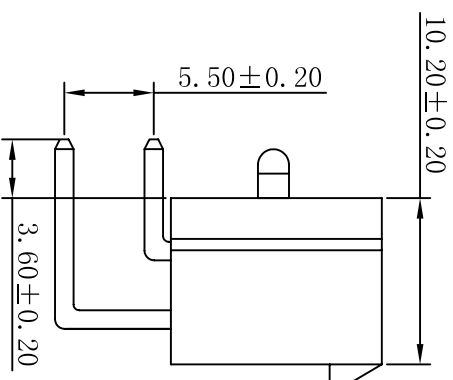
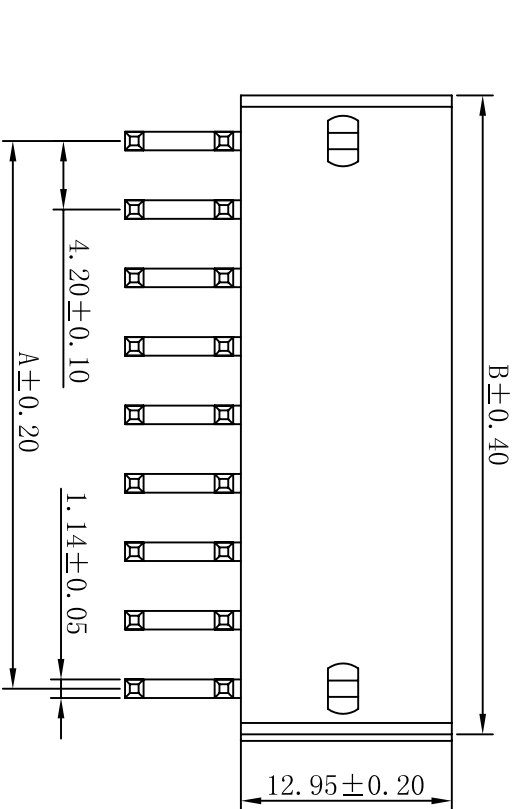
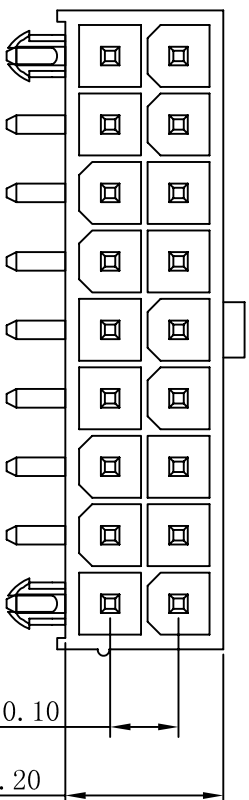
0 \pm 0.30

.0 \pm 0.25

.00 \pm 0.20

.000 \pm 0.015

REV.	ECON NO.	LOCATIONS.	DESCRIPTION	DATE	CHANGER
A			新版本	2011-05-24	陈雄军



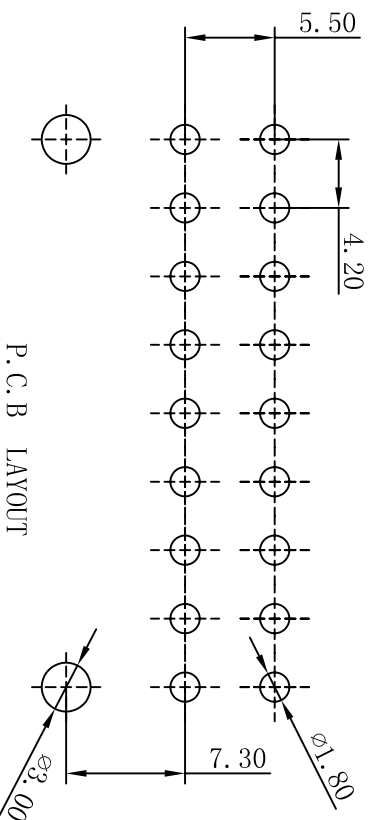
■ SPECIFICATIONS

- Voltage rating: 250V AC, DC
- Current rating: 7A, AC, DC
- Withstanding Voltage: 1500V AC/minute
- Insulation resistance: 1000M Ω min
- Temperature range: -25 $^{\circ}$ C ~ +85 $^{\circ}$ C
- Contact resistance: 10m Ω max

■ WAFER

- Part No.: W4202RD-2*NP
- Poles : 02-24
- Material: Nylon 66 UL94V-2
- Pin Material: Brass /Tin-plated

PART NO.	Dimensions (mm)	
	A	B
W4202RD-2*01	--	5.60
W4202RD-2*02	4.20	9.80
W4202RD-2*03	8.40	14.00
W4202RD-2*04	12.60	18.20
W4202RD-2*05	16.80	22.40
W4202RD-2*06	21.00	26.60
W4202RD-2*07	25.20	30.80
W4202RD-2*08	29.40	35.00
W4202RD-2*09	33.60	39.20
W4202RD-2*10	37.80	43.40
W4202RD-2*11	42.00	47.60
W4202RD-2*12	46.20	51.80



RSK TECHNOLOGY CO., LTD

TOLERANCE

0 \pm 0.30
 .0 \pm 0.25
 .00 \pm 0.20

TITLE 成品规格图

CHECKED BY DATE SCALE

2011-05-24 1:1 VER NO. SIZE

DRAWN BY UNIT: mm A A4

陈雄军 PART NO. W4202RD-2*NP

P.C.B LAYOUT