

Dimensions: (mm)

| Part No. | A | B | C | D | E | F |
|----------|---------------|---------------|----------|----------|---------------|---------------|
| JNR 3015 | 3.0 ± 0.1 | 3.0 ± 0.1 | 1.5 Max. | 2.7 Typ. | 0.9 ± 0.2 | 1.2 ± 0.2 |

Series List

| No. | Part No. | MARK | L (μ H) | RDC Max. (Ω) | Isat Max. (A) | Irms Max. (A) |
|-----|-----------------|------|-----------------|-----------------------------|---------------------|---------------------|
| 1 | JNR 3015-1R0N-M | 1R0 | 1.0 | 0.048 | 2.10 | 2.10 |
| 2 | JNR 3015-1R5N-M | 1R5 | 1.5 | 0.066 | 1.80 | 1.90 |
| 3 | JNR 3015-2R2M-M | 2R2 | 2.2 | 0.072 | 1.48 | 1.60 |
| 4 | JNR 3015-3R3M-M | 3R3 | 3.3 | 0.112 | 1.21 | 1.45 |
| 5 | JNR 3015-4R7M-M | 4R7 | 4.7 | 0.136 | 1.08 | 1.25 |
| 6 | JNR 3015-6R8M-M | 6R8 | 6.8 | 0.211 | 0.90 | 0.90 |
| 7 | JNR 3015-100M-M | 100 | 10 | 0.276 | 0.75 | 0.87 |
| 8 | JNR 3015-150M-M | 150 | 15 | 0.422 | 0.58 | 0.65 |
| 9 | JNR 3015-220M-M | 220 | 22 | 0.622 | 0.47 | 0.55 |
| 10 | JNR 3015-330M-M | 330 | 33 | 0.959 | 0.39 | 0.45 |
| 11 | JNR 3015-470M-M | 470 | 47 | 1.406 | 0.32 | 0.40 |
| 12 | JNR 3015-101M-M | 101 | 100 | 2.920 | 0.23 | 0.25 |

1. Test Frequency: 1MHz, 1V
2. Tolerance : N \pm 30% ; M \pm 20%
3. Isat : Based on inductance decrease 30% Max.(at 20°C)
4. Irms : Base on temperature increase 40% Max.(at 20°C)
5. Operating Temperature Range:-25°C to +120°C (Including self-temperature rise)
6. Storage Temp. Range : -40°C to +85°C

PACKAGE

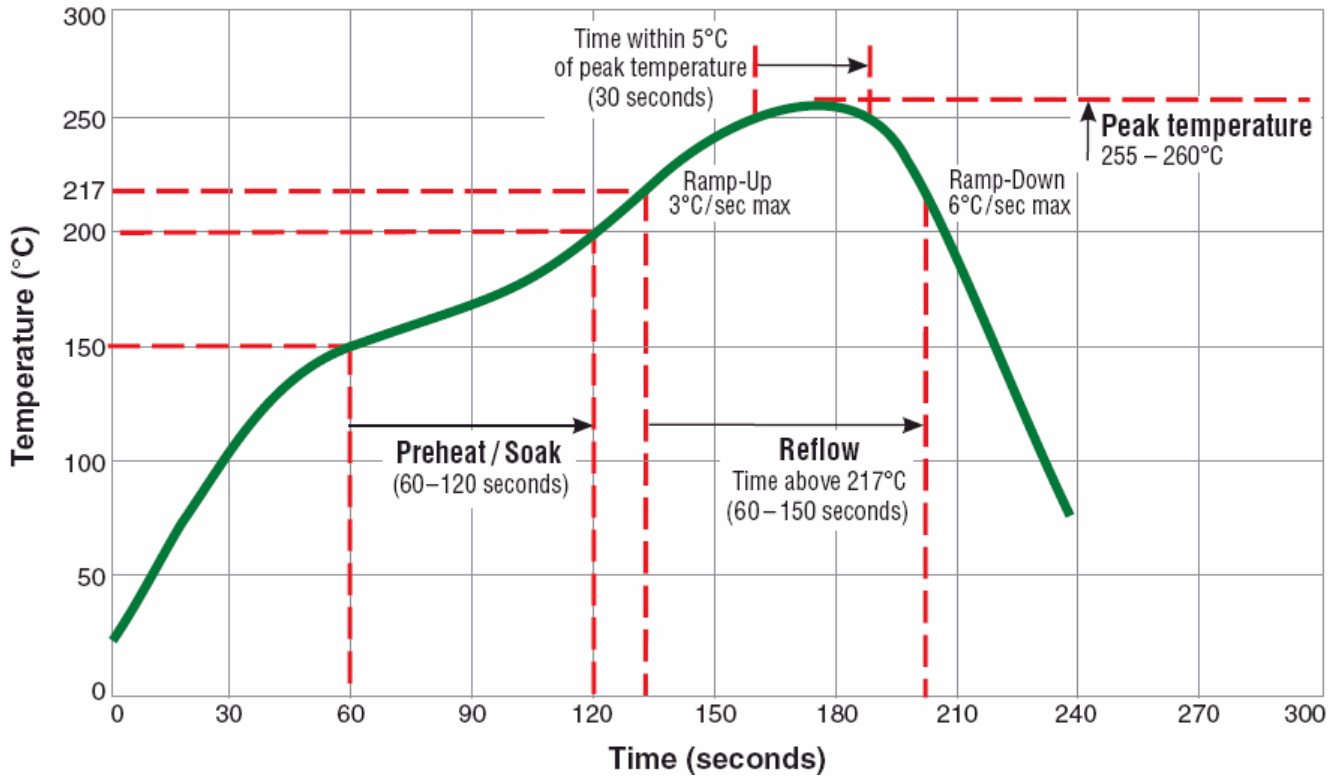
| Type | JNR 3015 |
|-----------|----------|
| Q'TY/Reel | 2000 |

1. RELIABILITY PERFORMANCE

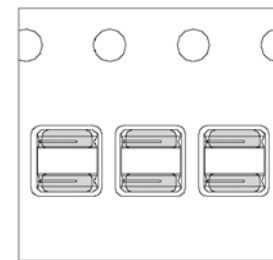
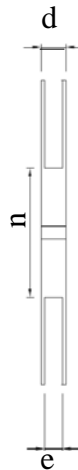
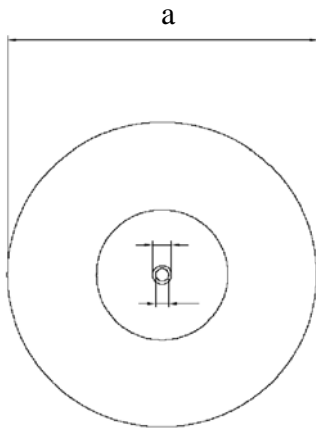
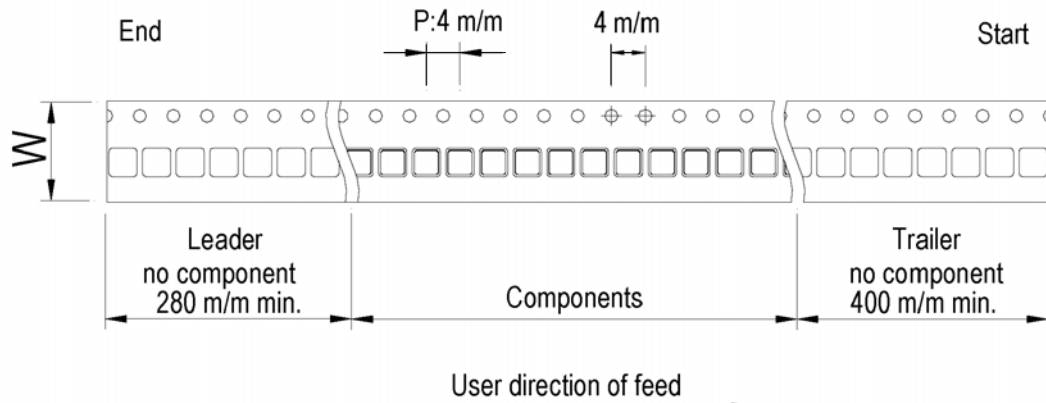
| Test Item | Test Condition |
|---------------------------------|---|
| Temp cycling | 1. +125°C±5°C for 30min ~ +25°C±5°C for 2hrs ~ -40±5°C for 30min 2. Total 10 cycles |
| Humidity | 1. Temp: +60°C±2°C 2. R.H: 90%±5% 3. Total 96hrs |
| Thermal shock | 1. +125°C+3°C for 30min ~ -40°C for 30min ° 2. Time of temp shift 2min 3. Total 50cycles |
| High temperature storage | 1. Temp: +125°C±2°C 2. Total 48±2hrs |
| Low temp storage | 1. Temp -40°C±2°C 2. Total 48±2hrs |
| Salt spraying | 1. Chamber temp: 35°C 2. 5% concentration of salt sprayed 3. To erode for 24hrs |
| Vibrating test | 1. Freq: 10-55-10HZ 2. Amplitude: 1.5mm 3. Direction: X, Y, Z 4. Time: 2hrs for each direction, total 6hrs |

2. TYPICAL RoHS REFLOW PROFILE

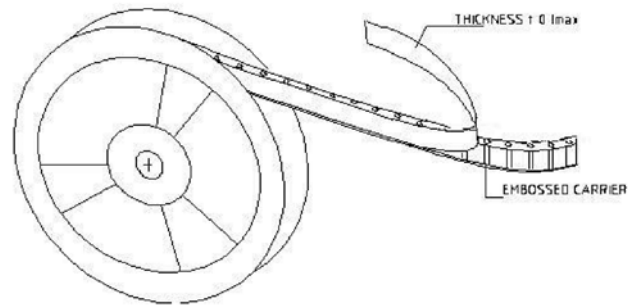
Typical RoHS Reflow Profile



3. PACKAGING



Bottom View



| Product Series | t | P1 | P | P0 | W | A0 | B0 | K0 | a | b | c | d | e | n |
|----------------|---------------|--------------|-------------|-------------|-------------|--------------|--------------|--------------|---------------|--------------|--------------|--------------|-------------|------------|
| JNR 3015 | 0.25 ±0.05 | 2.0 ±0.05 | 4.0 ±0.1 | 0.4 ±0.1 | 8.0 ±0.2 | 3.15 ±0.1 | 3.15 ±0.1 | 1.65 MAX. | 178.0 ±2.0 | 21.0 ±0.8 | 13.0 ±0.8 | 12.5 MAX. | 8.4 ±0.1 | 50 MIN. |

| Reel | | 5Reel / Box | | 6Box / Carton | |
|-----------|----------|-------------|------------|---------------|-------------|
| Q'ty(Pcs) | Size m/m | Q'ty(Pcs) | Size m/m | Q'ty(Pcs) | Size m/m |
| 2,000 | 180 φ | 10,000 | 182x182x80 | 60,000 | 540x210x205 |