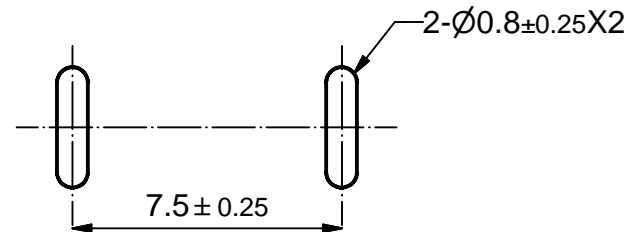
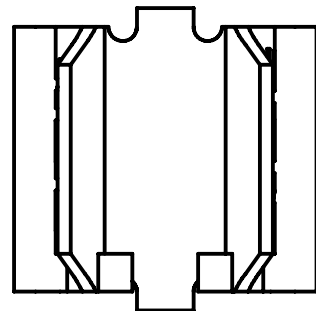
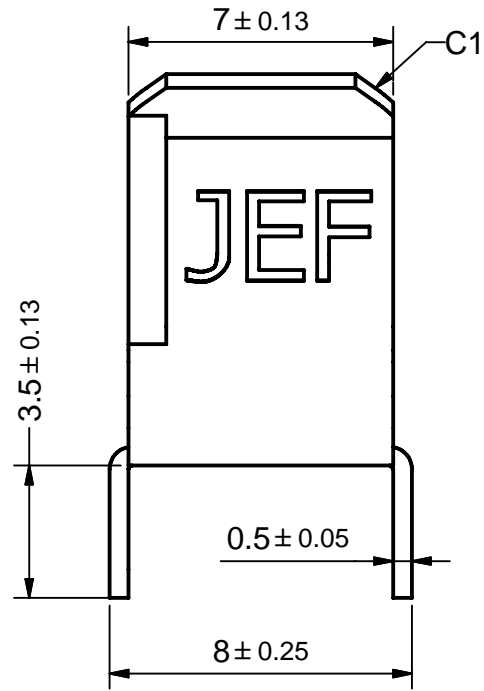
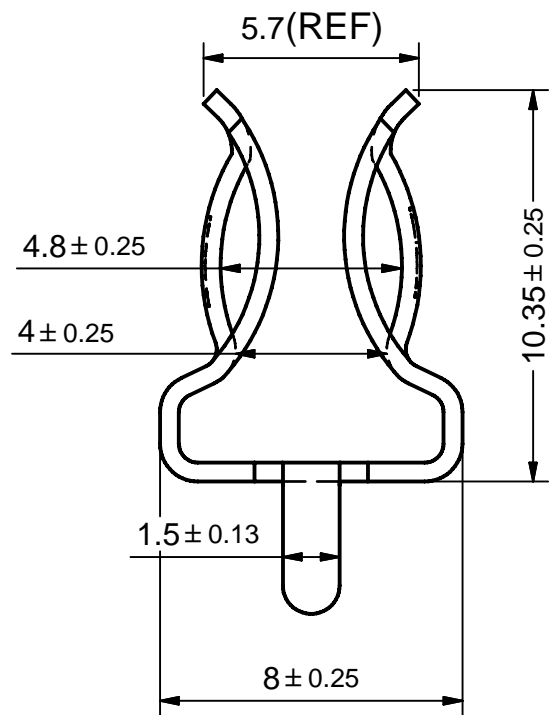


Part No.	P/N	Material / Finish	Remark
JEF-505	C550625024N	Brass Tin plated	
JEF-505P	C550625051N	Beryllium Copper Tin plated	
JEF-505S	C550625053N	Phosphor Bronze Tin plated	

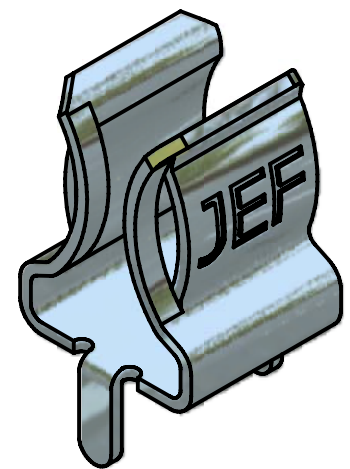




MOUNTING HOLES

FUSE CLIP P.C. BOARD TYPE FOR
6.35mm DIAMETER FUSE
SPECIFICATIONS:

*Electrical Rating : Rating for currents up to 15A
(JEF-505/505S)
Max. 30A
(JEF-505P)

*Thickness:0.5mm
*Finish : Bright Tin-plated



UNLESS OTHERWISE SPECIFIED DIMENSIONS ARE IN MM TOLERANCE DECIMALS ANGULAR X± 0.5 ± 2' XX± 0.25 DO NOT SCALE DRAWING		CUSTOMER NO.	JENN FENG ELECTRIC INDUSTRIAL CO., LTD
		DRAWN BY JANE	
 		CHECKED BY	∅ 6.35mm FUSE CLIPS
		APPROVED BY 鄭文和	PART NO. JEF-505X
P/N		DATE 2008/6/10	DRAWING NO. AA07122001
REV	B	SCALE	